

Phantom Superecology TREKKER

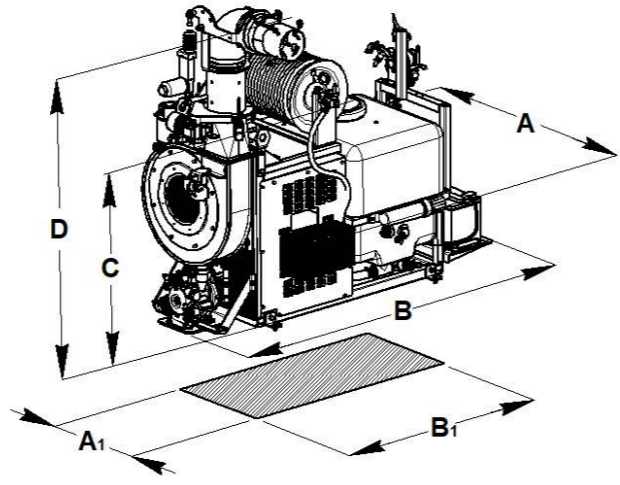
AVAILABLE ENGINES AND POWER RATINGS

Trekker M748
20 hp Gasoline

DIMENSIONS in mm.	A	B	C	D	Empty weight kg
Trekker M748	850	1520	735	1478	320

- weights and dimensions may vary depending on the type of set-up

FRAME BASE DIMENSIONS in mm.	A1	B1
Trekker M748	590	1020



Trekker M748

Product Tank Capacity	100 lt
Circuit Washer Tank Capacity	-
Hand Wash Tank Capacity	-
Fuel Tank Capacity	7 lt
Fan capacity in m3/hour	4500 a 80 m/s
Pump flow rate (3 membranes) in lt/m	40
Pump pressure in Bar	0 - 40
Horizontal range in m (up to)	20
Vertical range in m (up to)	15

- we reserve the right to make changes without prior notice



Invincible for
 PEST-CONTROL
 (mosquitoes, flies, cockroaches, ants, wasps, locusts, etc..)
 LARVICIDAL TREATMENTS
 ULV TREATMENTS
 GREEN CARE
 ODOURS TREATMENT (in composting areas, dumps, etc..)

ELECTROSTATIC[®]
 AGRO SPRAY SYSTEM
 SINCE 1981 First in Europe

Technology,
 Functionality
 and avant-garde
 design



New mist blowers
PHANTOM SUPERECOLOGY TREKKER
 FOR ENVIRONMENTAL HYGIENE SPECIALISTS

MARTIGNANI S.r.l.

Via Fermi, 63
 Zona Industriale Lugo 1 - 48020
 S. Agata sul Santerno (RA) Italy
 T +39 0545 230 77 | F +39 0545 306 64
 martignani@martignani.com



WWW.MARTIGNANI.COM



SINCE 1958

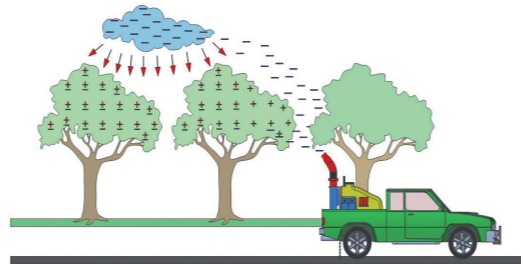
The exclusive advantages of the **MARTIGNANI System**, appreciated by experts and professional users in the environmental hygiene and public ground care sphere.

The perfect and **uniform micronization** produced using a unique type of pneumatic nozzle, with a large diameter (4 mm), and **fade-free functionality, no wear**, no clogging, no maintenance.

Precision liquid metering unit with graduated stainless steel scale for instantaneous metering of any volume to be distributed, from 50 to 1300 l/hour at a single pressure of 1.5 bar. The best and most congenial system, which can also be used in conjunction with the "I.M.E." **micro-pump to meter pure chemicals**, featuring separate reservoirs (also controlled in l/hour but at 10 bar instead of the 1,5 bar of the sprayer circuit. This means no risk of damages and the elimination of the delicate back-pressure valve).

High performance centrifugal fans, with an exclusive design, able to provide a coverage with several hundreds of microscopic droplets per cmq at even very low volumes (50 l/hour) and up to distances that are impossible to achieve with any air conveyance sprayer with **high pressure nozzles** and **calibrated plates**.

Device for **Electrostatic charging of micro droplets** (patent B091C0001444 and B093A000444), the first produced in Europe (1981) and the **only one multi-tested in Italy** by three research institutes with published phytotherapeutic results. Now it is widespread and well-known throughout the world as Number 1 when it comes to innovative methods concerning the **application of plant protection products with respect for the environment and operators' health**.



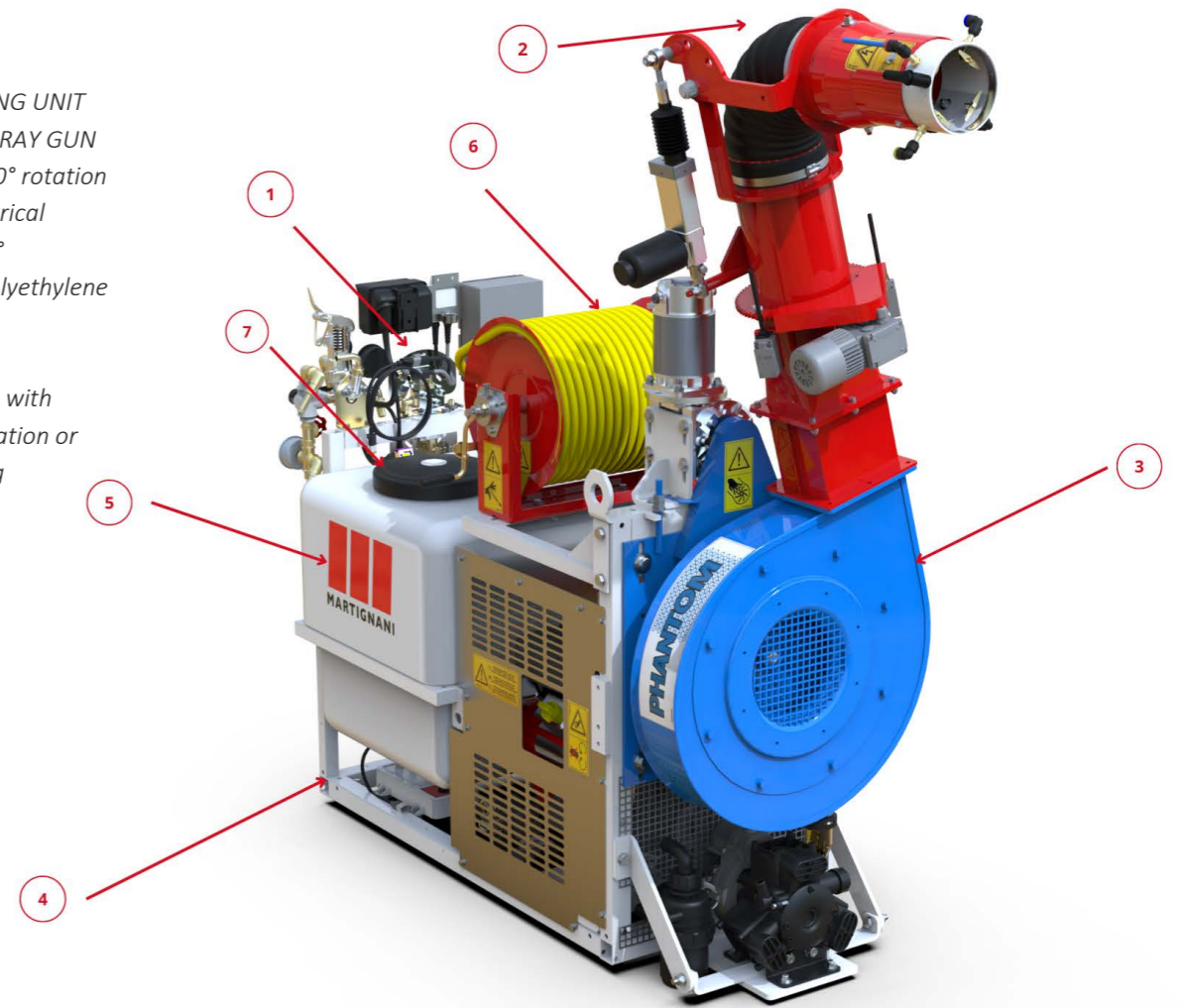
POWER AIR FOGGER KIT

(patent B092U000163), used in conjunction with the fluid dynamic action of the Martignani fans to deliver an ultra-powerful, no drifting screen of mist. It can also be used with very lightweight **moplen** pipes.

ULV NOZZLE KIT (Ultra Low Volume) – Patent N° B02006A000457

The "U.L.V." KIT to distribute products at Ultra Low Volume is ideal to protect from stray adult insects, to combat locust emergencies in deserts and to eliminate odours in com-

1. PRECISION METERING UNIT
2. Omnidirectional SPRAY GUN with flexible 90° + 360° rotation
3. BLOWER with electrical rotation through 260°
4. FRAME made of polyethylene (PE)
5. TANK 100 litres
6. HOSE REEL ROLLER with manual, electric operation or automatic with spring (40, 50, 100 m)
7. FILLING NOZZLE



PHANTOM SUPERECOLGY TREKKER

posting areas, dumps, etc. It consists of a mist-blowing nozzle on the central axis of the spray gun's exit port and it simply works thanks to the air pressure blowing from the spraying head (therefore without using an air compressor).

Spray Gun with PLUG 'N PLAY System in order to combine different types of spray heads:

- Round classic head (Long-range treatment)
- Fan head (wide-angle treatment with reduced range on shrubs, hedges, little masts, ecc..)
- Double head (bilateral treatment)

Remote control without wiring

A mist blowing unit that requires practically no maintenance.

